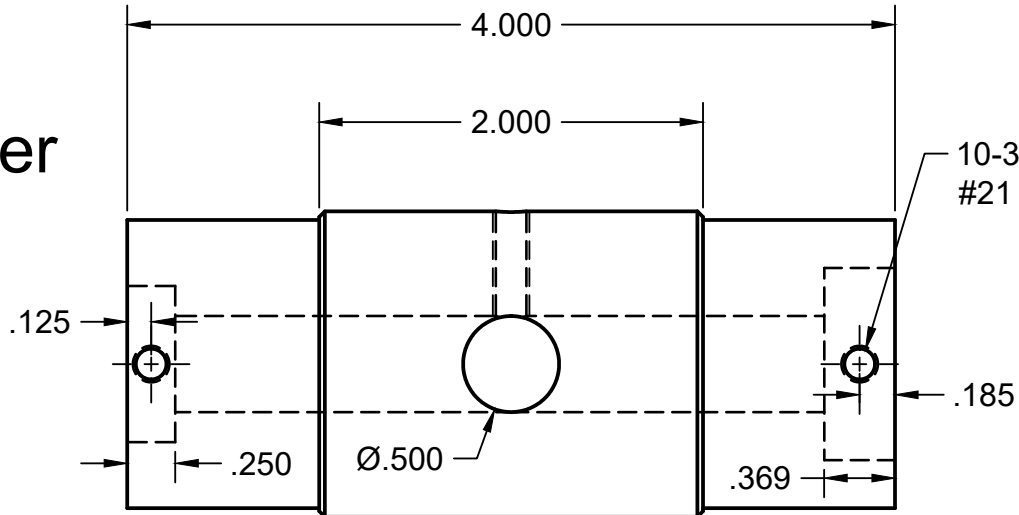
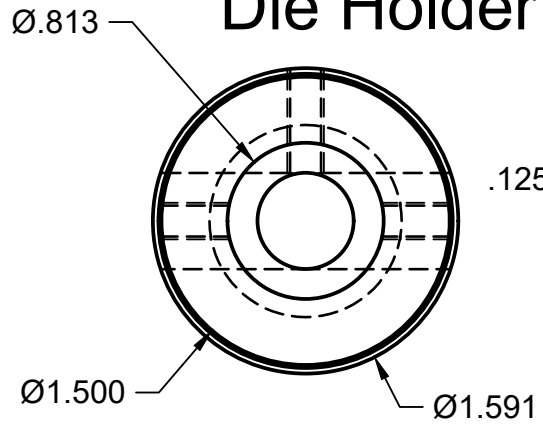
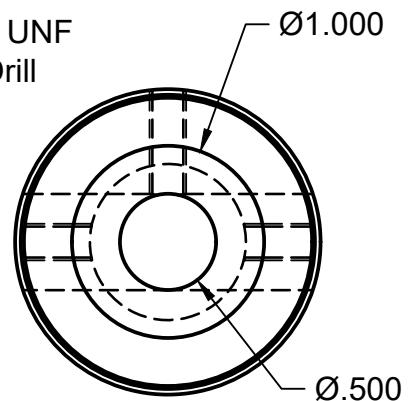


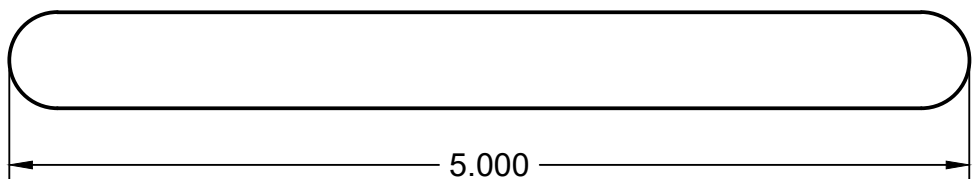
# Die Holder



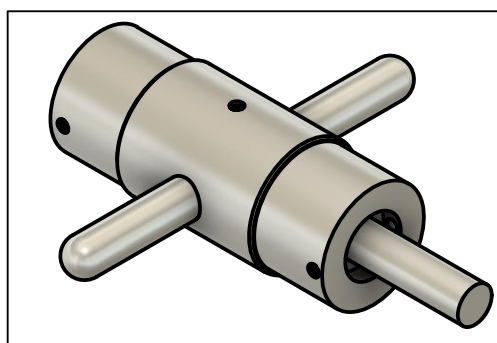
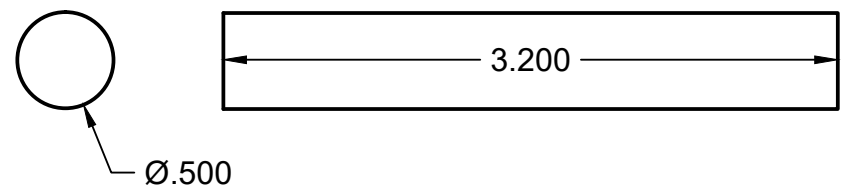
10-32 UNF  
#21 Drill



# Handle



# Support Rod



PROJECT  
**Clough42**

TITLE  
**Tailstock Die Holder**

APPROVED	SIZE	CODE	DWG NO	REV
CHECKED	A			
DRAWN James Clough 3/17/2018	SCALE 1:1	WEIGHT	SHEET 1/1	